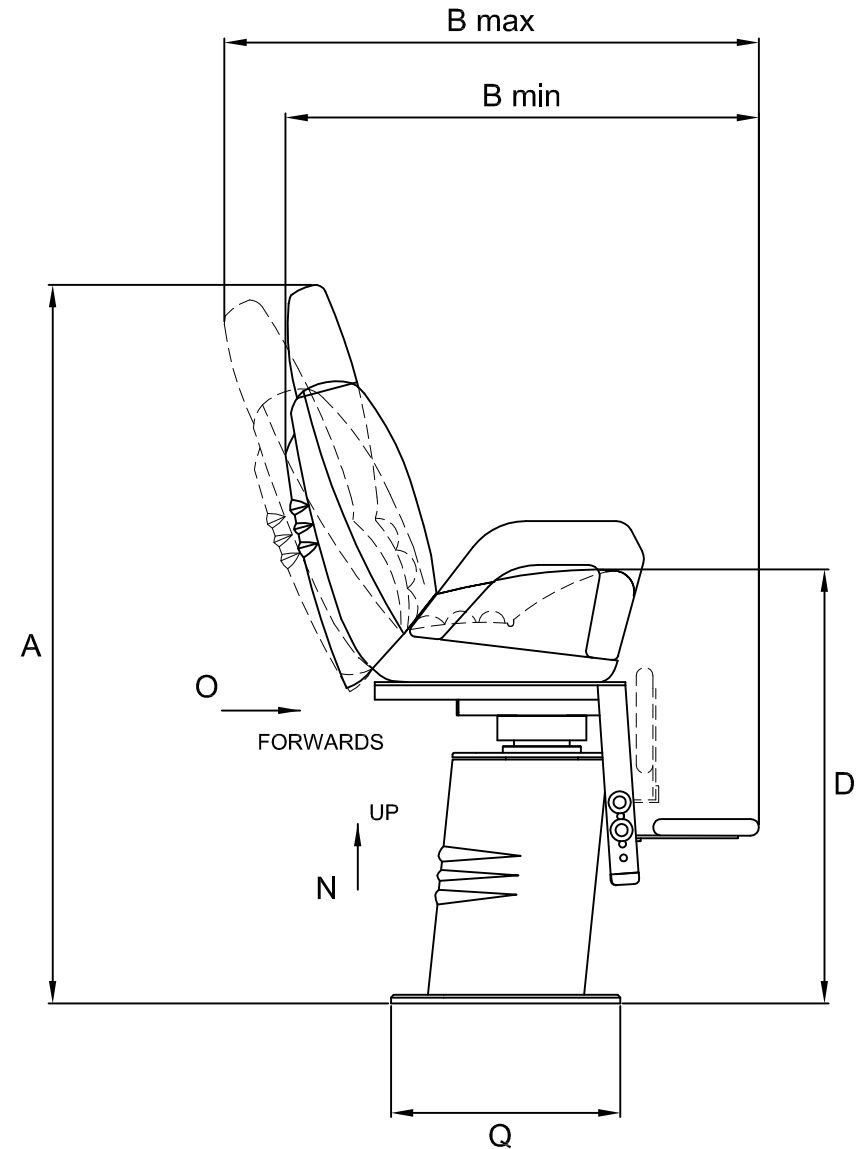
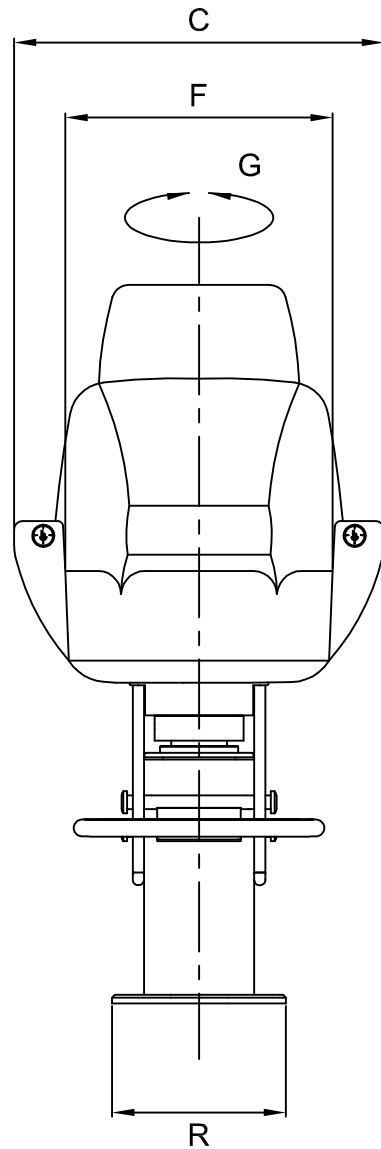


A (mm)	≈ 1300
B (mm)	850 - 960
C (mm)	670
D (mm)	780
F (mm)	480
G (°)	90+90
N (mm)	250
O (mm)	160
Q (mm)	412
R (mm)	312
Weight (Kg)	60



The padding could vary the sizes of few centimeters



Product

**P 216 PRESIDENT**

**Automatic Helm Seat**