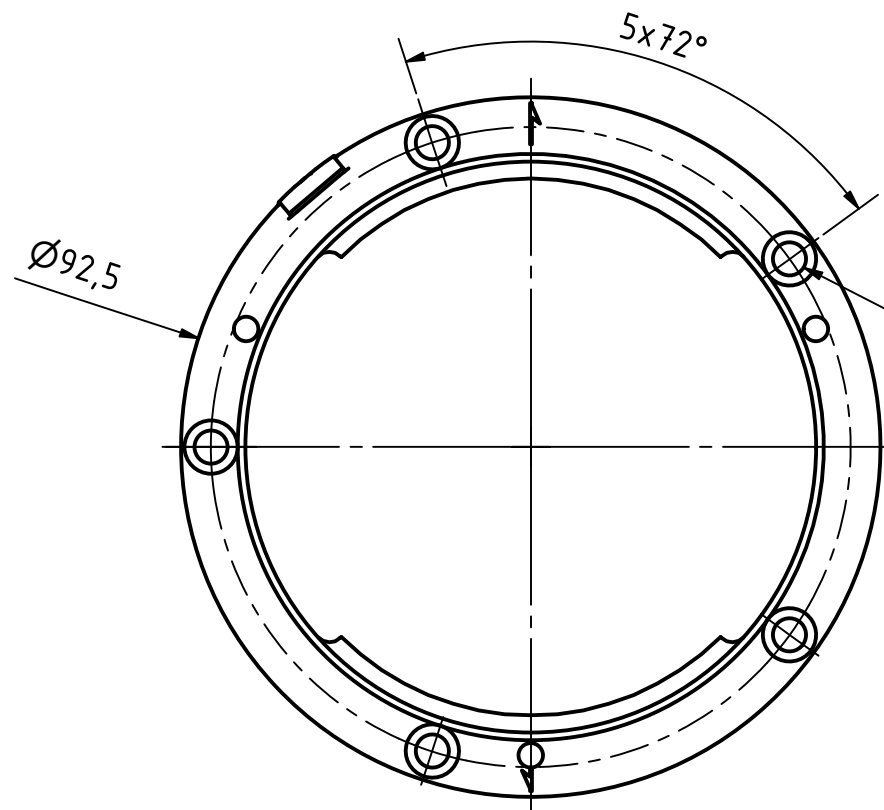
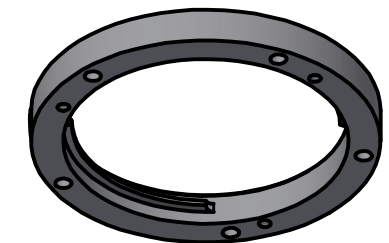
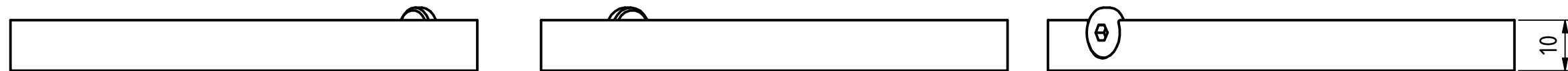
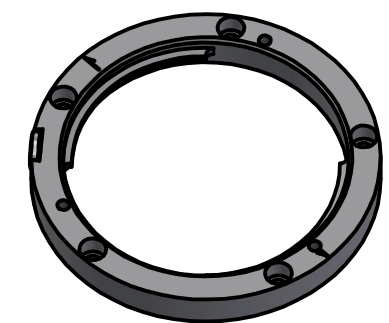


Mounting holes (Mount from underside)  
3xM4x0.7 Thru

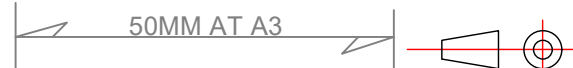


Mounting holes (Mount from top)  
5x Countersunk for 4 mm cylinderhead  
(DIN 912/ISO4762)



TITLE: <b>400-036</b> Ultra low mounting ring, (K-lock)					
DRAWING NO.: <b>400-036</b>				DRAWN BY: <b>LSA</b>	
SCALE: <b>1 : 1</b>	SIZE: <b>A3</b>	REV. NO.: <b>0</b>	TOLERANCES: <b>DS/ISO 2768-f</b>	REVIEWED BY:	CREATION DATE: <b>09/01/2023</b>
MATERIAL DESCRIPTION: <b>Alu. EN6082</b>			(20µ) Silver anodized according to EN ISO 7599 (50µ) Black anodized according to MIL-A 8625F		

This Drawing, and the information within, is the property of Lopolight ApS and may not be used in any form without express permission there from. Lopolight reserves the right to change this drawing and assumes no liability for the information communicated herein. Use of dimensions and other information in this drawing is at the users own risk.



**LOPOLIGHT**  
Lopolight ApS  
Bakkegaardsvej 513  
DK-3050, Humlebaek  
Denmark  
www.lopolight.com  
Tel:(+45) 32 48 50 30  
info@lopolight.com