

LOPO
LIGHT

NEWS

DLXi LIGHT



THE DLXi – MASTHEAD/ DECKLIGHT

NEW IMPROVED VERSION

The Lopolight masthead with decklight has proven to be a very successful product for the sailor that needs a robust LED light that protrudes minimally from the front of the mast and can take the unavoidable beating from sails and halyards.

It protrudes only 54 mm and is so robust that no protective bracket is needed.

The news is that the 6W LED decklight has been angled further forward so it illuminates a larger and more relevant part of the foredeck.

The Lopolight DLXi comes in intensities for all sailing boats between 7 and 50 meters – with 3 different visibility ranges, 2nm for up to 12 meters, 3nm for up to 20 meters and 5nm for up to 50 meters.

The light is delivered in silver, black and now also in our new ceramic based white surface coating.

It comes pre-cabled with 15 meters of high quality marine cable.

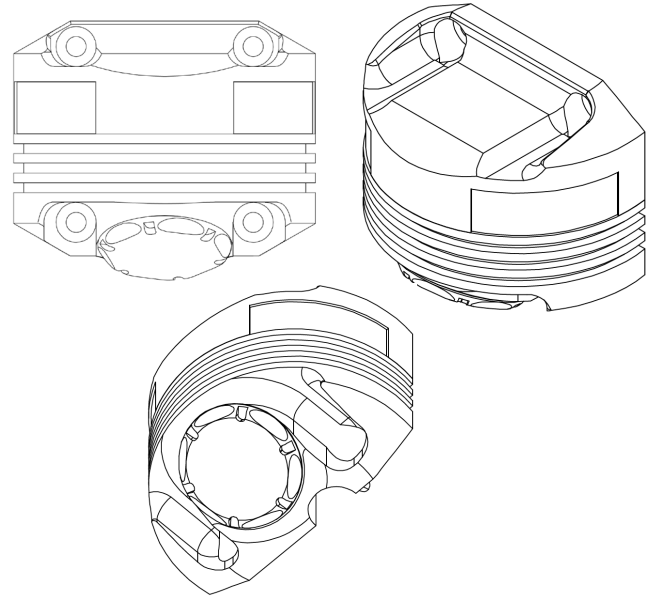
LOPOLIGHT MASTHEAD/ DECKLIGHT DLXi LIGHTS

P/N: 201-010DLXI / 201-011DLXI / 301-011DLXI

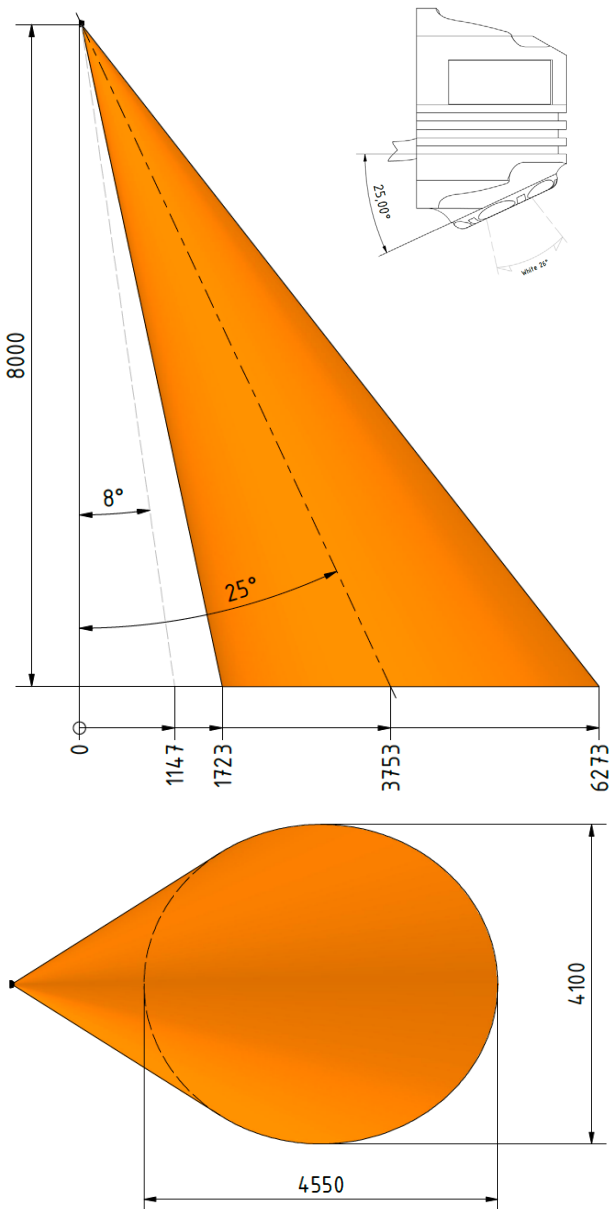
**DECK LIGHT BEAM WAS 8 DEGREES OUT -
NEXT VERSION WILL BE 25 DEGREES OUT.**

Drawing shows light distribution at 8 and 6 meter over deck with the standard 26 degree lens.

There is an option to replace the lens to a 36 degree version.(the former 8 degree version is displayed for reference)



Mounted 8 METERS up



Mounted 6 METERS up

