



# Nautical Line

speich





For nautical applications there is often the need to get items ready to use and their installation must be easy.

We developed a range of marine wipers called “**SPEICH Nautic**” designed to achieve during installation a **customized system**.

In particular, you can adjust the **length of the arms**, change the **wiping angle** and choose the desired **parking position** on the motor unit by performing simple operations also with the system already installed.



**SPEICH Nautical line is the best solution also for boats Refit & Repair thanks to its high quality, design and installation flexibility.**





**The Products Choice**

# How to choose the right product?

There is no a unique correct choice for a marine windscreen wiper

A nautical line windscreen wiper system is custom made for each applications and ship screens plan. The system design and production is made under strictly quality criteria in order to respect the supply management plan and deliverables requirements compliance.

The choice depends on many factors:

- **SWEPT AREA REQUIREMENTS**
- **CUSTOMER REQUIREMENTS**
- **FORM AND SIZE OF THE SCREEN**

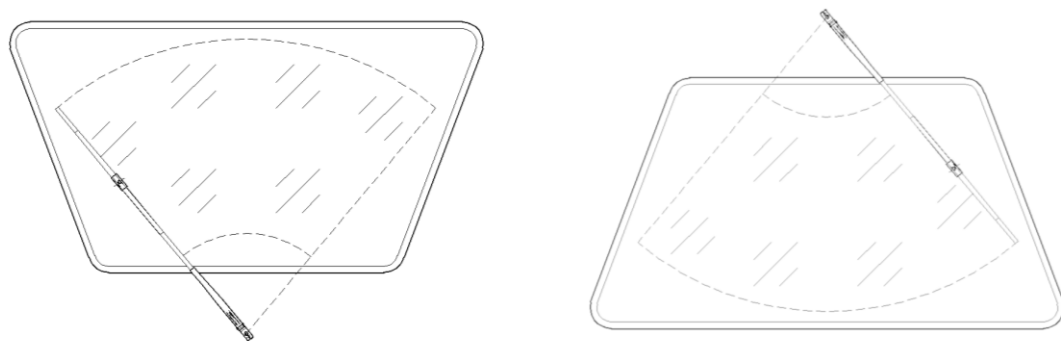
Our team of design engineers will supply the best advice and assistance in order to achieve considerable savings in installation costs and the best reliable product for new boats or to be retrofit or repair.

# Our systems are designed to meet all the necessary customer requirements

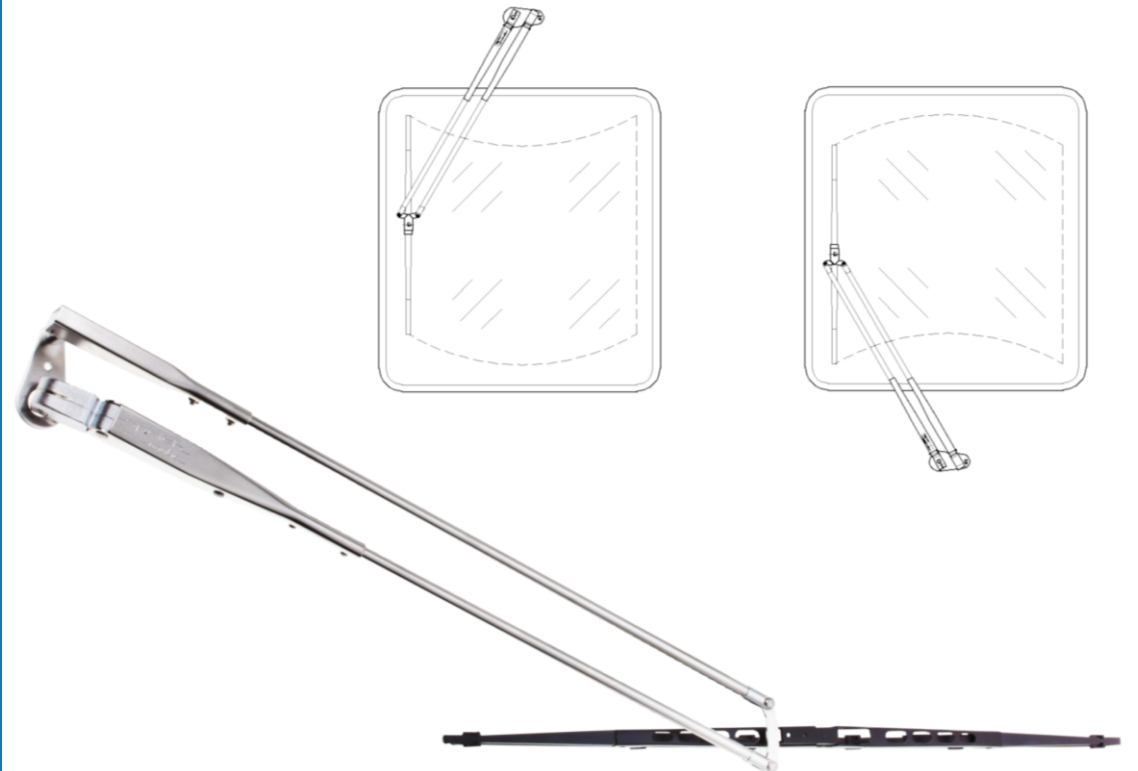
The pendulum and pantograph wiper systems of Nautic line are used for both flat and curved small/medium size windows, low voltage 12/24Vdc range, medium duty applications and when installation space is limited.

They are custom made and designed to ensure excellent adaptability and ease of maintenance, compact design of the motor assembly for an easy installation and good reliability and resistance to marine conditions. They can be equipped with spray nozzles.

## Pendulum wiper systems



## Pantograph wiper systems



# CONTROL SYSTEMS

In order to manage windscreen wiper systems of Nautic line, SPEICH offers:

- PWS: Wiper control system, two speeds, low voltage 12/24V, up to 5 motors, synchronization, variable interval, washing, integration to the on-board system
- LMS: Modular control system, two speeds, low voltage 12/24V, up to 9 motors, synchronization, variable interval and washing ;
- CT41P/CT42P: Compact multifunction switch, up to 1/2 motors, two speeds, low voltage 12/24Vdc, variable interval and washing
- ESB: ON-ON-ON Rocker switch .



LMS CONTROL SYSTEM



CT41P/CT42P



ESB



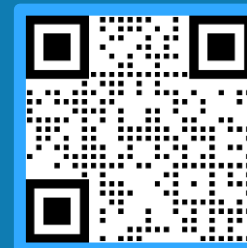
PWS CONTROL SYSTEM



# International Sales Network

---

A complete list of our global service and distribution network is available on our web site:



[www.speich.com](http://www.speich.com)

SPEICH